

Let's go **Keyless.**



YOUR SECURITY PARTNER

# SGDL-809L/TC1100BTPB

## SMART LOCK

With Bluetooth & One-Touch Open\* Access



- One of the Slimmest Mortise Smart Lock in the market (18mm).
- Anti-fingerprint curve keypad.

- One-Touch Open\*
- Mobile App
- Password
- RFID Card
- Emergency Key
- Automatic Lock / Relock
- Scramble Code
- Intergrated With Fire Sensor
- Anti Hacking Emergency Alarm System
- Anti-Panic Handle
- External Emergency Battery Terminal (9V)
- Low Battery Warning Signal
- Adjustable Volume Level
- Interface with external devices (optional)
- Anti-Fingerprint Curve Keypad
- 2 Years Warranty
- Made In Korea

\*One-Touch Open function is compatible with selected mobile phone models only.

### Accessories



**St Guchi APP**  
(Download from  
Apple App Store &  
Google Play)



**RFID CARD**



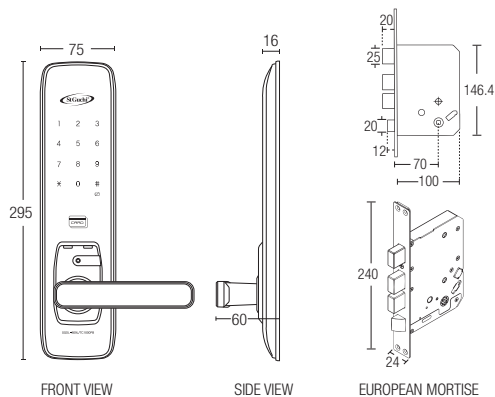
**RFID KEYTAG**



**EMERGENCY KEY**

## SGDL-809L/TC1100BTPB Smart Lock with Bluetooth & One-Touch Open\* Access

### Measurement



Specifications		
<b>Door Thickness</b>		35-50mm
<b>Finishing of Product</b>		Pearl Black
<b>Power Supply</b>	Voltage DC 6V	LR6 1.5V AA Size alkaline Battery 4pcs
	Emergency battery DC 9V	Alkaline Battery (Sold Separately)
<b>Pin Number</b>		4-12 digit
<b>Authentication</b>	No. of pin registration	1
	No. of RFID card registration (residential mode)	31 (30 user + 1 master)
	No. of RFID card registration (commercial mode)	38
	No. of bluetooth registration	8
	No. of mechanical key combination	1
<b>Heat Sensor</b>	trigger Level Temperature Sensor	70° ± 4°
<b>Material</b>	Front body	Zn, ABS
	Main body	SST, Zn, ABS
<b>Included Accessories</b>	RFID card	3pcs
	RFID key tag	3pcs
	Emergency key	2pcs
	1.5V AA Size alkaline battery	4pcs

\*All the measurements are in millimeter (mm)