

LEVER MORTISE LOCKSETS



YOUR SECURITY PARTNER



Specifications

- Stainless Steel SUS304 3mm thickness Forend plate (Square)
- Stainless Steel SUS304 1.5mm thickness Striker plate (Square)
- Stainless Steel SUS304 1 x Trigeminal Latch bolt
- Stainless Steel SUS304 1 x Square Deadbolt
- Electrolytic steel 1.2mm Lockcase
- Zinc Diecast 8mm x 8mm Follower

Features

- 60mm Backset of door
- 85mm Center distance of lock
- Anti-Panic Function
- Semi auto Lock Function
- 1 Turn Deadbolt
- Reversible Latch Bolt

3

SGLM-SL60/1412

Mortise Lever Handle Complete with SGML-SA8560/14/SS Semi Auto & Anti Panic Mortise Lock without Cylinder



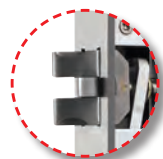
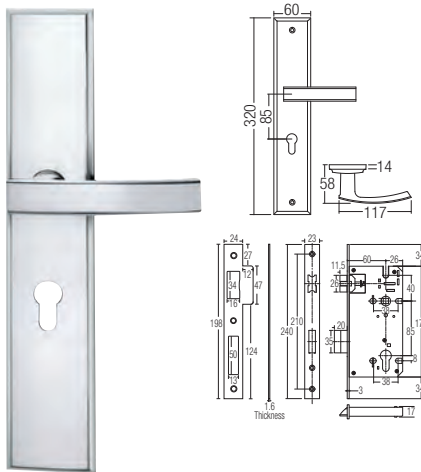
*Pre order with minimum MOQ required

SGLM-SL60/8185

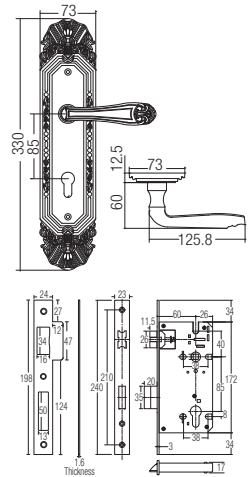
Mortise Lever Handle Complete with SGML-SA8560/14/SS Semi Auto & Anti Panic Mortise Lock without Cylinder



*Pre order with minimum MOQ required



Trigeminal Latch



Trigeminal Latch

Code	Material	Finishing	Backset	D.Thickness	Function	Packing
SGLM-SL60/1412	Zinc Diecast	AB / SN	60	32-47	Anti-Panic with Semi auto Lock	6 sets/ctn
SGLM-SL60/8185	Zinc Diecast	DAB	60	32-47	Anti-Panic with Semi auto Lock	6 sets/ctn

*All the measurements are in millimeter (mm)